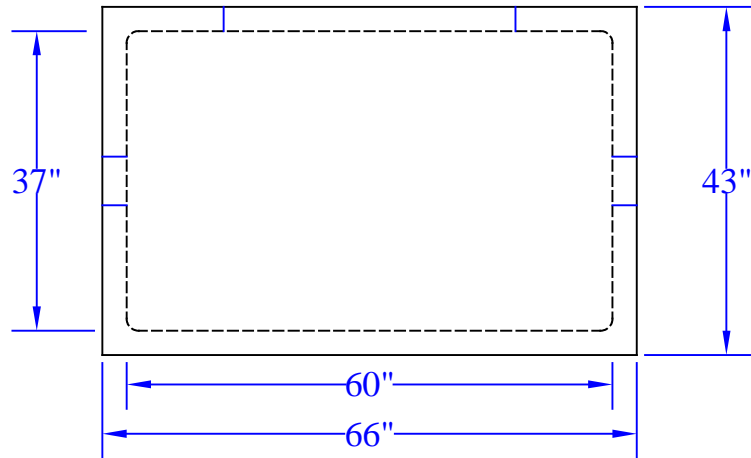


66" x 43" Shed

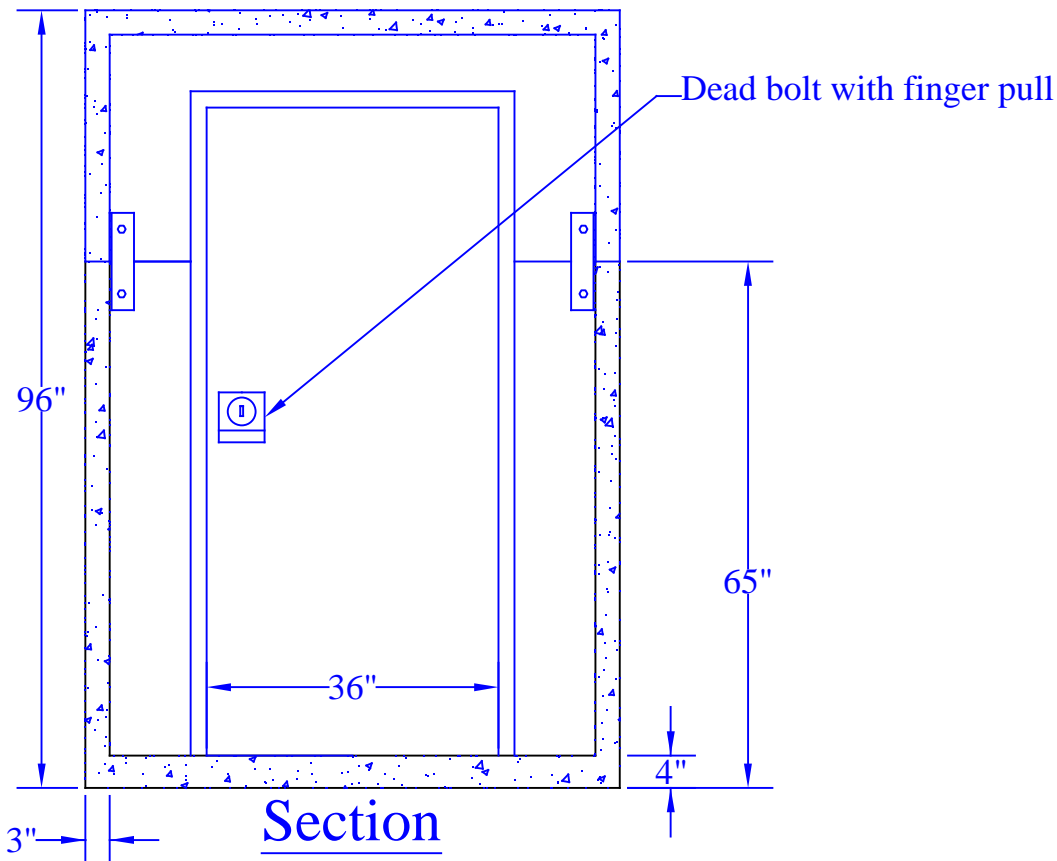
Notes:

1. Concrete: 32 mpa Air 5-7%
2. Reinforcing: 10m @ 12" c/c
3. Weight: 7,000 lbs. (3180 kgs.)
4. Finish: steel form smooth

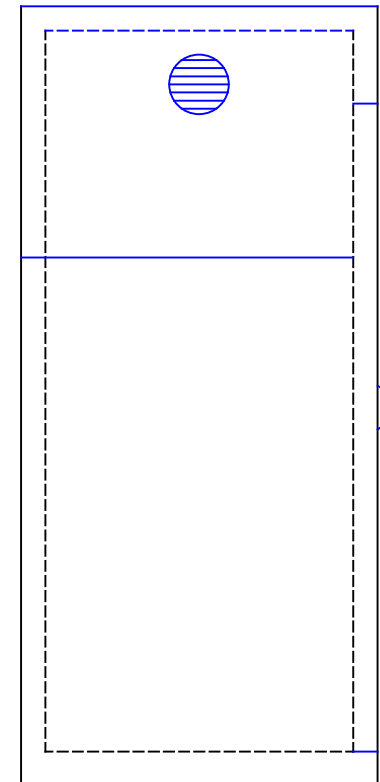
Acton Precast Concrete Limited
Acton Ont. 1-800-461-1516



Top View



Section



End View