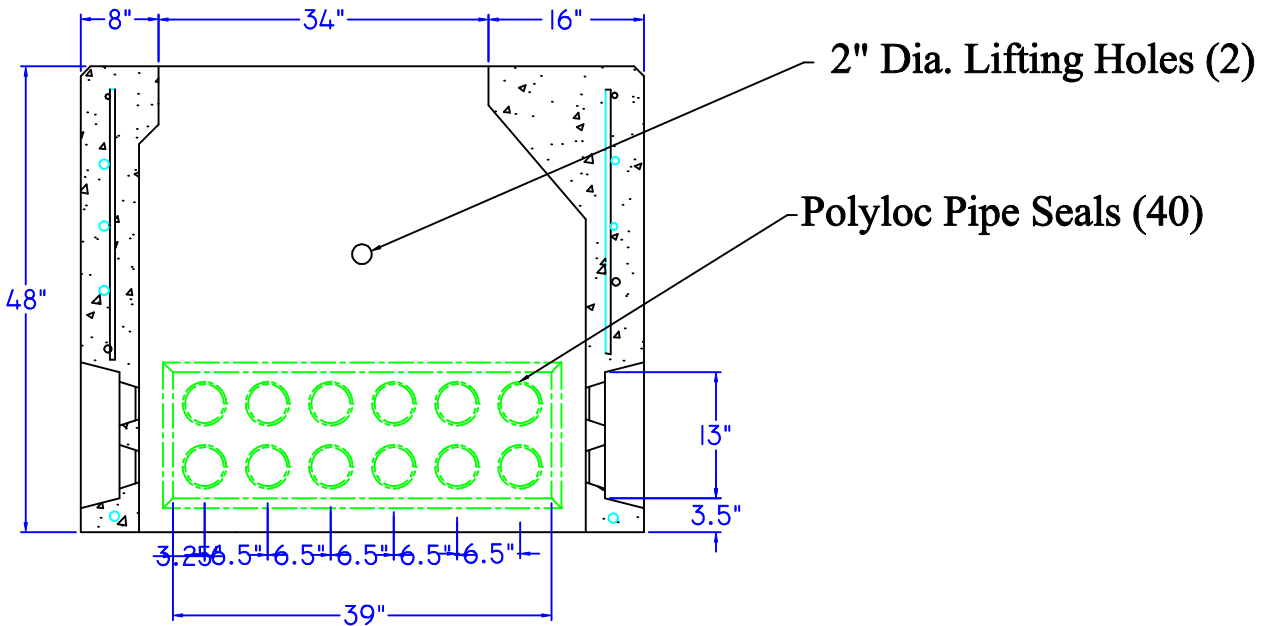


PLAN VIEW



SECTION A-A

NOTES:

1. Concrete : 32 Mpa min. - Air 5-7%
2. Reinforced with 10m rebar
3. Approximate weight 4550 lbs.

LP58XP

LOW PROFILE TRANSFORMER BASE

Acton Precast Concrete Limited