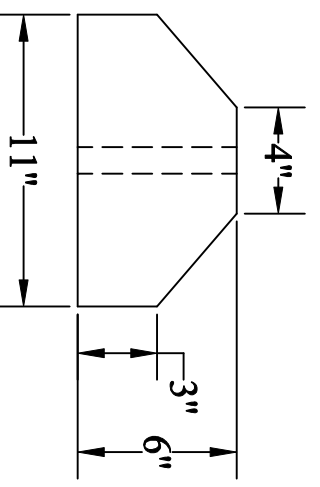


Side View



End View

8' Jumbo Parking Curb

Acton Precast Concrete Limited

Concrete: 32 mpa Air 5-7%

Reinforcing: 2 Pcs. 10m

Approx. weight 450 lbs.