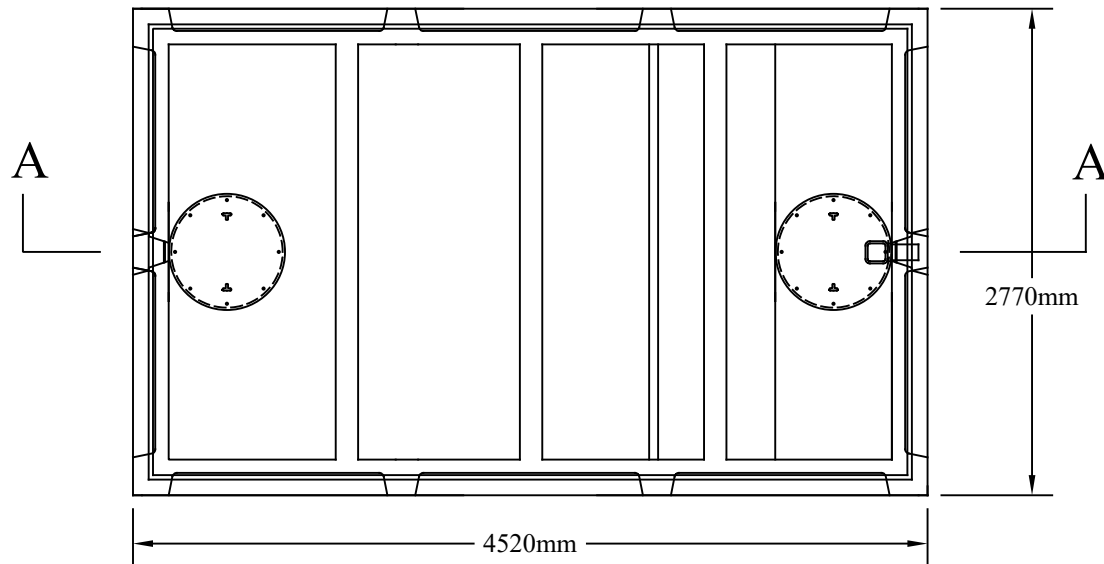


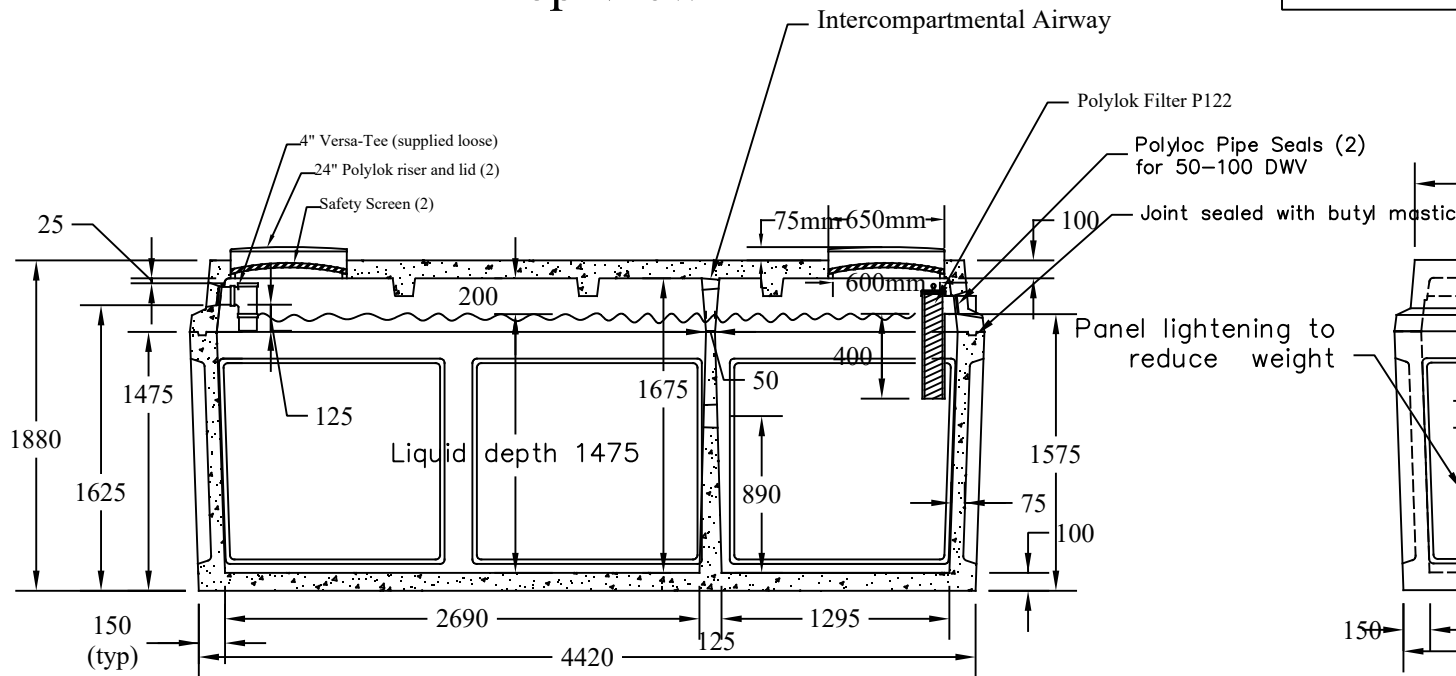
3000 Gal. (14,000 L) Septic Tank

- Notes:
1. Concrete - 35mpa, Air 5-7%
 2. Divider wall monolithic cast.
 3. Approx. weight: 13,000 kgs.
 4. Actual working capacity: 14740 l
 5. Litres per vert metre: 9995
 6. For use in non-sulfate soils only.
 7. Inlet device - 100mm Tee w/drop leg
Outlet device - Polylok filter (supplied loose).
 8. Max. burial depth (cover) 1 m
 9. Place on 200mm of compacted sand base.
 10. Tank lifted in 2 pcs. using "Burke" insert lifting system.
- Drawing Date: April 1, 2022

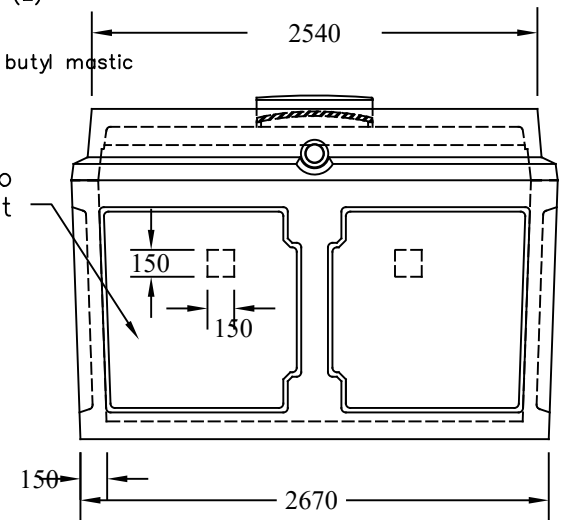
Acton Precast Concrete Limited
RR 2 Acton, Ont. 1-800-461-1516



Top View



Section A-A



End View