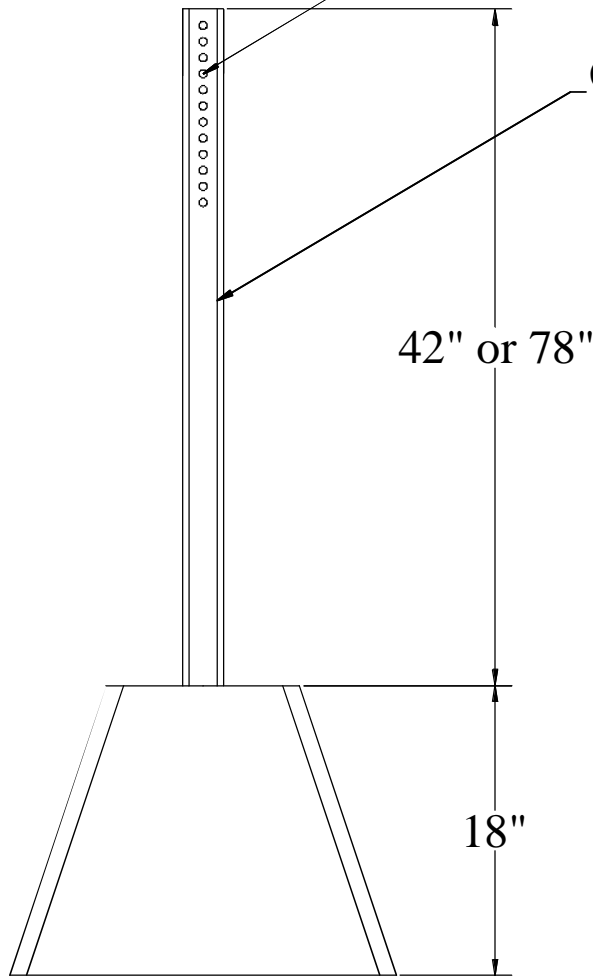


Plan View

$\frac{3}{8}$ " holes for sign attachment



Side View

8' & 5' Sign base

Acton Precast Concrete Limited

Notes:

Concrete: 35 mpa air 5-7%
 Galvanized sign post
 Plain concrete finish
 Weight: 500 lbs.