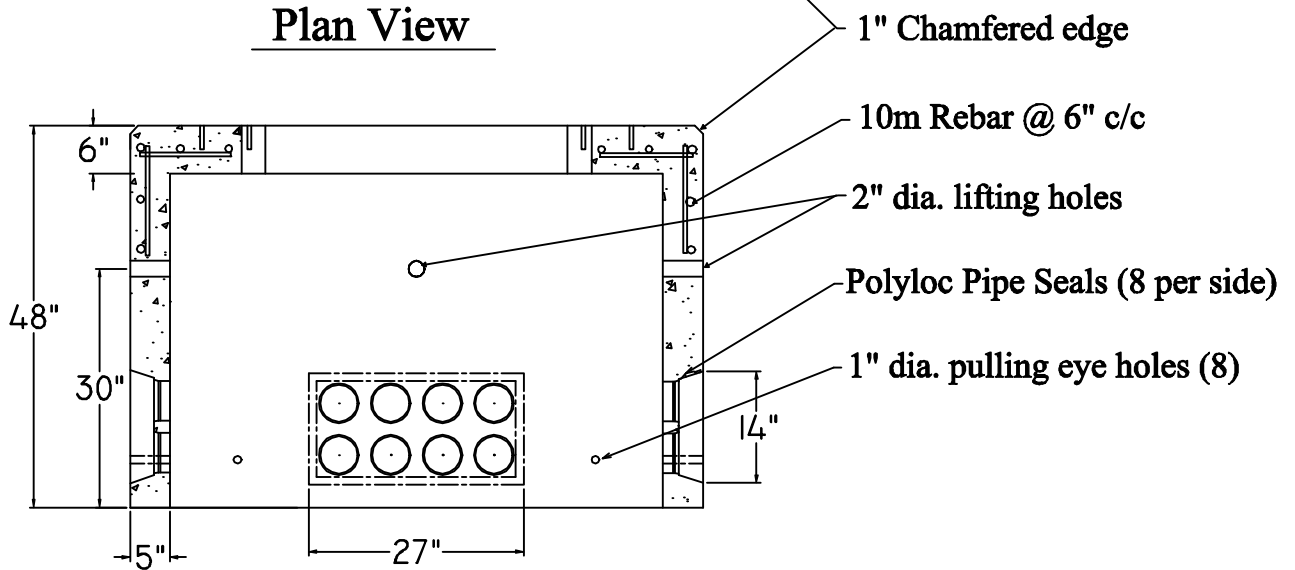


Plan View



Section A-A

Notes:

1. Concrete 32 Mpa min. Air 5-7%
2. Approx. weight 3600 kg.
3. Unit can be set in place by Acton Precast truck if site is ready at time of delivery.

LPC 80

3 Phase Transformer Base

Acton Precast Concrete Limited