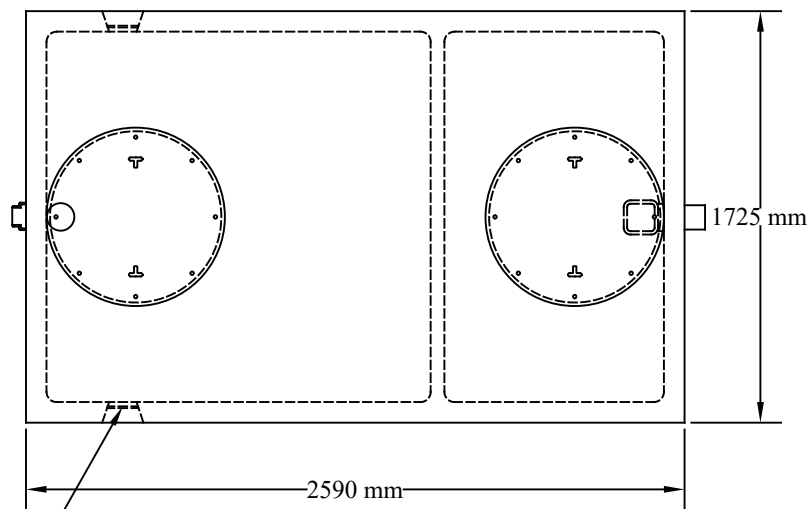


# 800 Gal. (3600 L) Low Profile Septic Tank

## Notes:

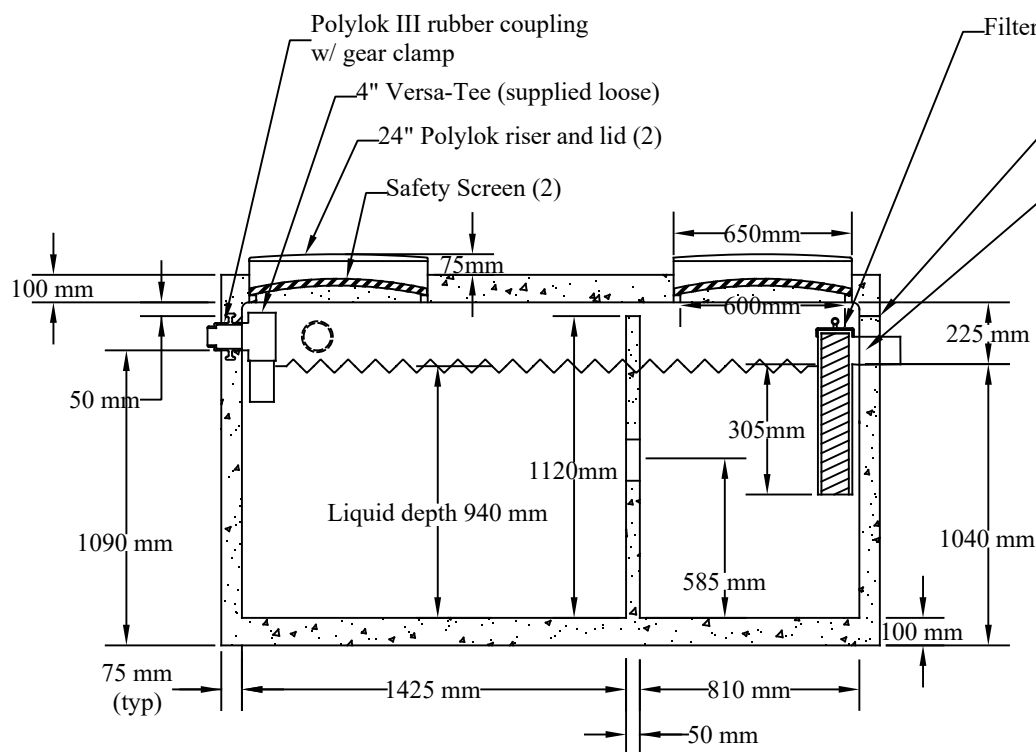
1. Concrete: 35 mpa Air 5-7%
  2. Weight: 4185 kgs.
  3. Divider wall is monolithic cast.
  4. Maximum cover: 1.5 m
  5. Actual working capacity 3560 l
  6. Litre per vert. metre = 3850
  7. For use in non-sulfate soils only
  8. Tank is lifted using external slings.
- Drawing Date: April 1, 2022

Acton Precast Concrete Limited  
Acton Ont. 1-800-461-1516

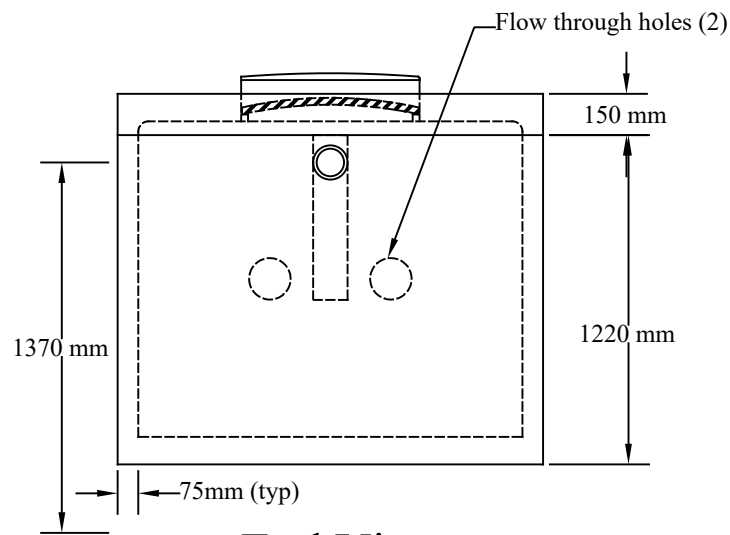


Alternate inlets (2)

Top View



Section



End View