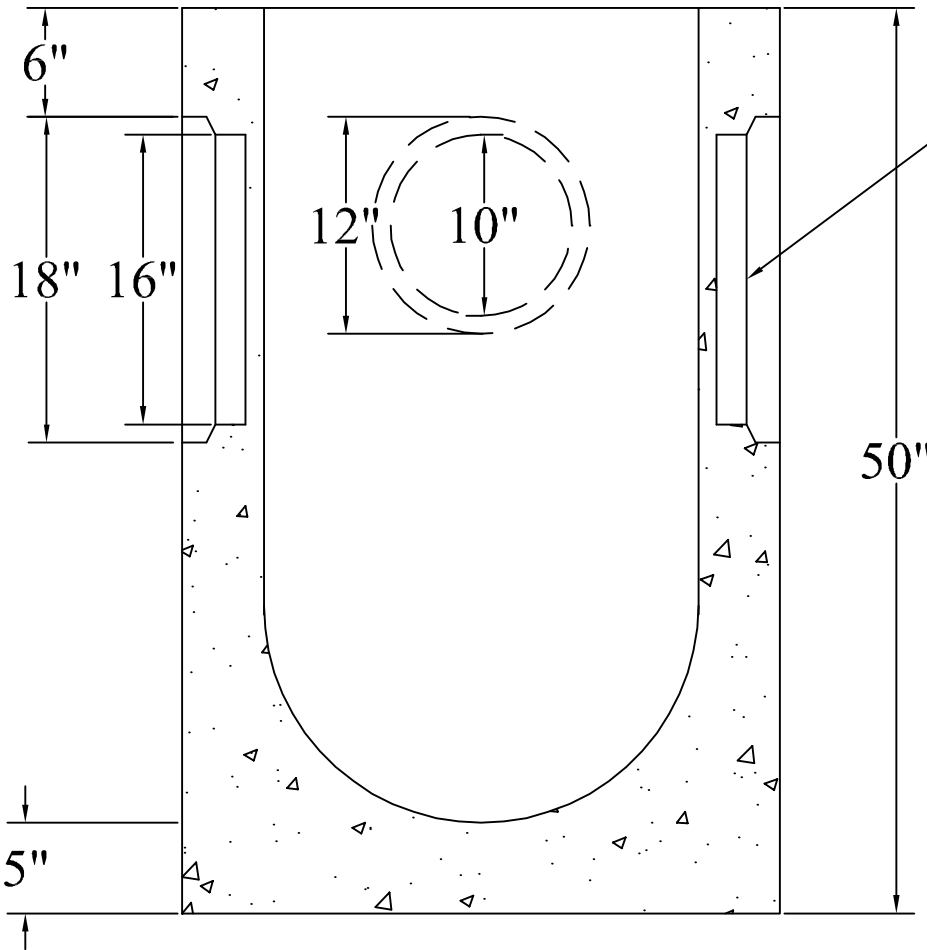


Plan



Knockouts for pipe
(3 sides)

Standard Catch Basin

Acton Precast
Concrete Limited

Notes:
Concrete: 32 mpa air 5-7%
Weight: 2500 lbs.
Finish: Steel form smooth

Designed to accommodate
vehicular traffic with OPSD
400.01 cover.

Section