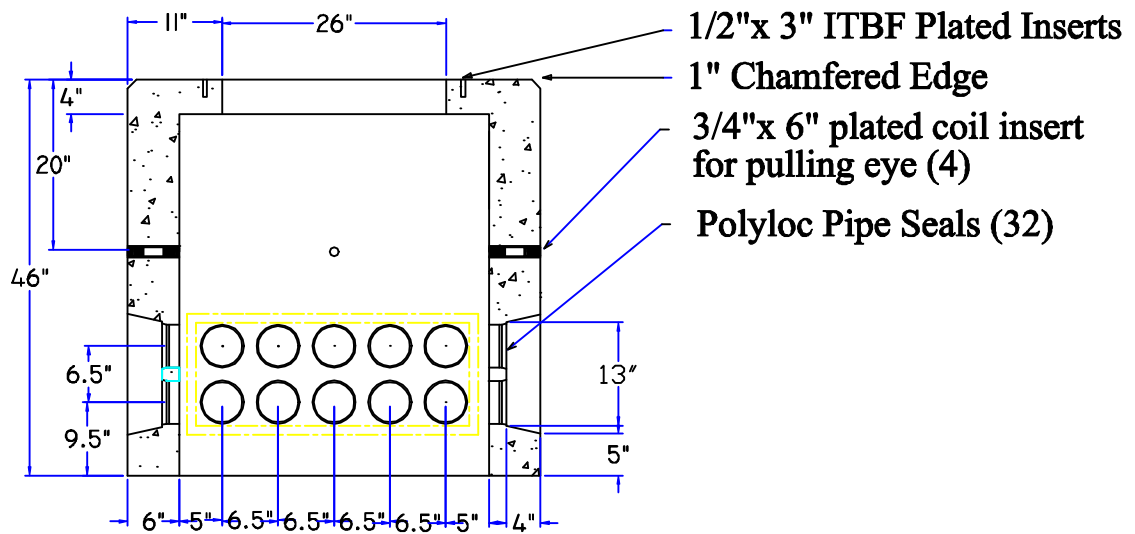


**PLAN VIEW**



**SECTION A-A**

**Notes:**

1. Concrete 32 Mpa min. - Air 5-7%
2. Reinforced with 10m rebar
3. Approximate weight 4000 lbs.

**LPC48**

Base for single ph. pad mount transformers

**Acton Precast Concrete Limited**

RR 2 Acton 1-800-461-1516 Fax 1-519-853-1324