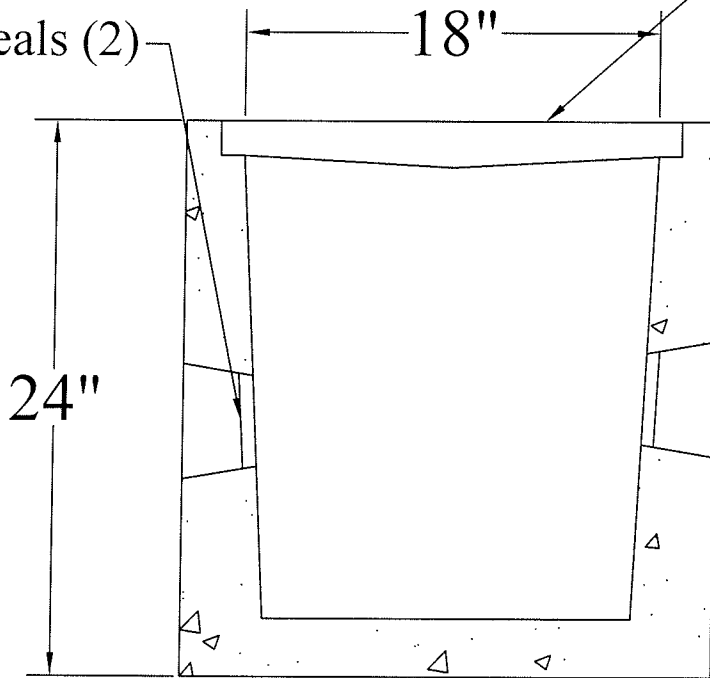


Plan

Cast Iron Grate

4" Polylok Pipe
seals (2)



Section

Garage Catch Basin

Acton Precast
Concrete Limited

Notes:
Concrete: 32 mpa air 5-7%
Weight: 400 lbs.
Finish: Steel form smooth

Designed to accommodate
light vehicular traffic.